

## **Evaporation Plants for Alumina Refineries**

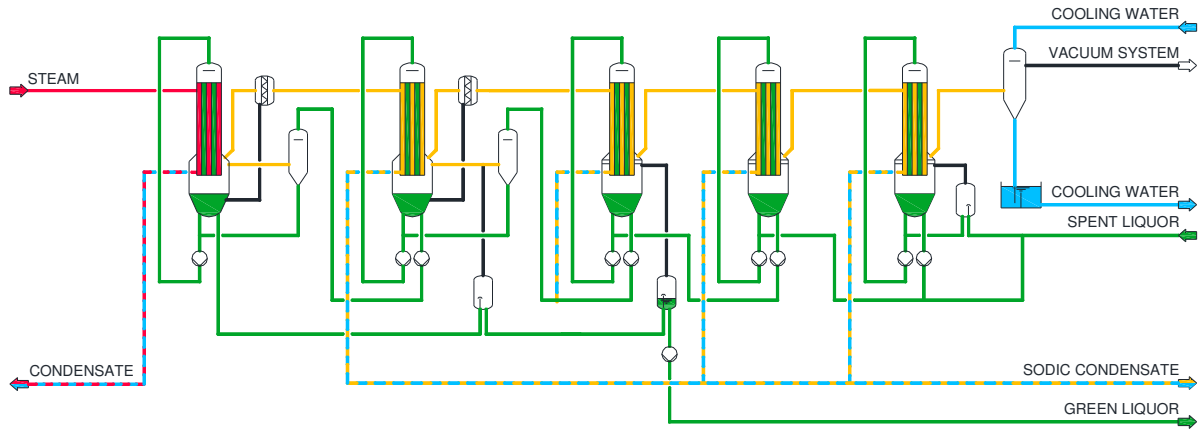
### **Highlights**

In the Bayer process for the production of alumina from bauxite ore the weak aluminate liquor has to be concentrated so that it can be recycled to the digestion. Depending upon the digestion technology the following evaporative systems can be supplied:

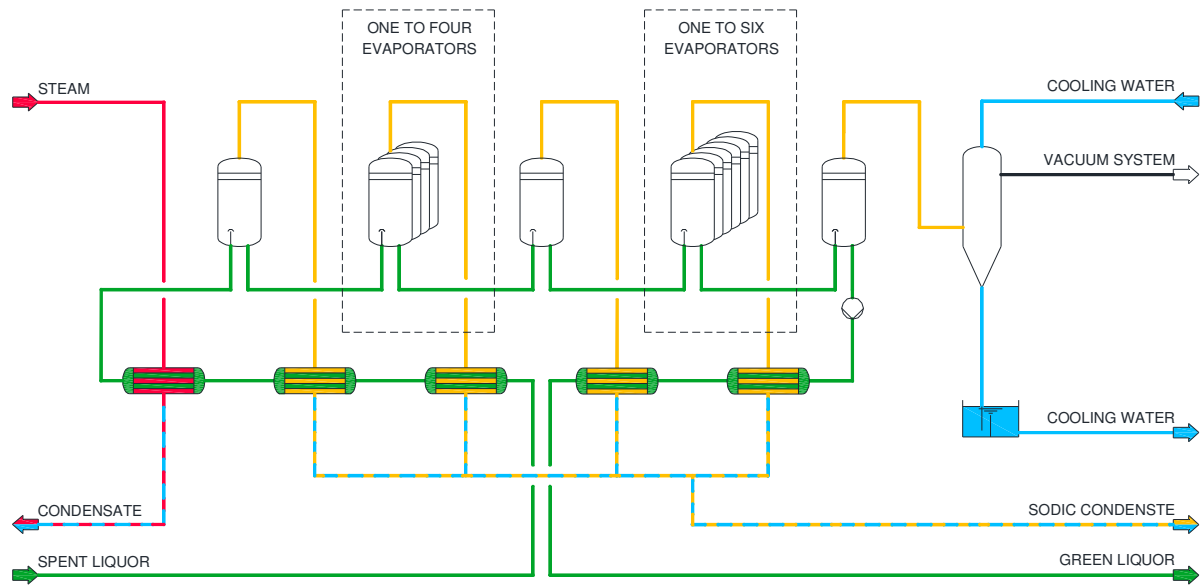
- Multi stage flash
- Multi stage falling film
- Combined plants
- Forced circulation for salting out

### **Process Characteristics:**

1. Steam consumption minimised by heat recovery configurations
2. Scaling reduced with lower operating temperature profiles
3. Frequency controlled pumps reduce power consumption
4. Multi-configuration operation increases operating flexibility and enables evaporators to be washed whilst production is maintained
5. High grade condensate recovered for returning to the boiler house
6. Special evaporators for salting out duties



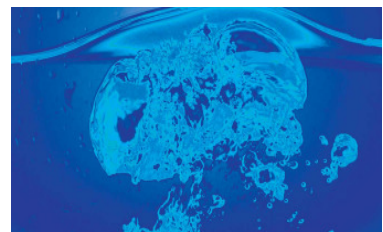
Falling Film Evaporation Plant



Flash Evaporation Plant

### Plant Characteristics

- Evaporation capacity up to 300 t/h per train
- High steam economy
- Long intervals between washing
- Plant configurations can be changed quickly for washing



SEP Salt & Evaporation Plants Ltd.  
Neuwiesenstrasse 69  
CH - 8400 Winterthur  
Switzerland  
Phone +41 52 260 50 70  
Fax +41 52 260 50 80  
info@sepwin.ch  
www.sepwin.ch